

**ENFOLD**  
FAÇADE

**WALLSCREEN**

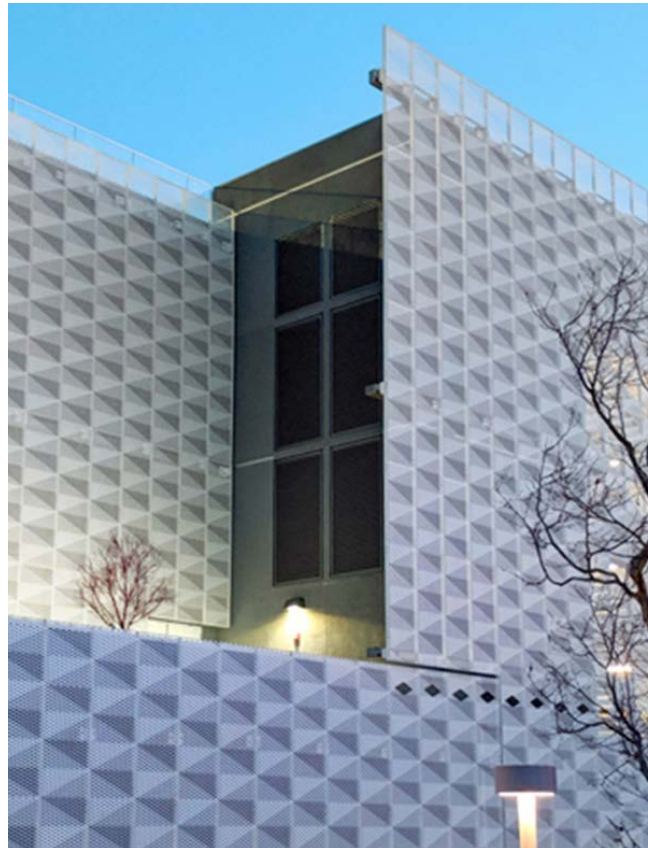


—  
BY BÖK MODERN

[ENFOLDFACADE.COM](http://ENFOLDFACADE.COM)

## WALLSCREEN

- Introduction
- Patterns
- Project List
- Wall/Green screen system
- Plan / Elevation
- Typical Details
  - Elevation Detail
  - Section Detail
  - Panel Connection
  - Intersecting Panel
- Installation Sequence



### WHY EnFold Façade?

EnFold Façade, a division of BÖK Modern, offers both a patented Rainscreen system as well as a Wallscreen system. Both are designed to minimize on-site labor by integrating features directly into the panels to accelerate installation times resulting in reduced overall installed costs.

EnFold Façade panels can be fabricated from a variety of flat sheet metal materials that are strategically designed and cut by laser with a virtually infinite array of patterns and shapes. Structural rigidity is integrated directly into panels through specialized and precise forming, eliminating the need for welding or secondary structural elements. The EnFold Façade system incorporates tabs and slots to control spacing and ensure quick and easy installation. When installed over a suitable substrate, our direct mount unitized panel system generally requires no additional furring or secondary support members.

### WALLSCREEN

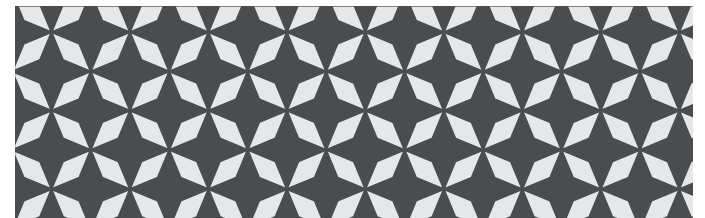
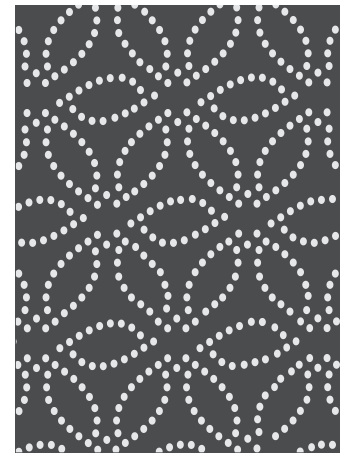
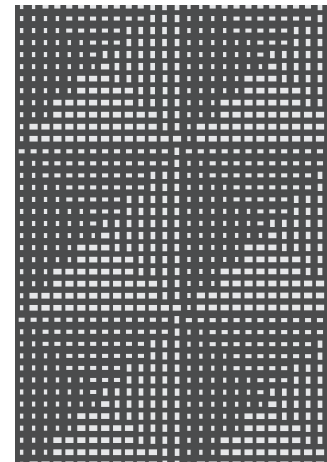
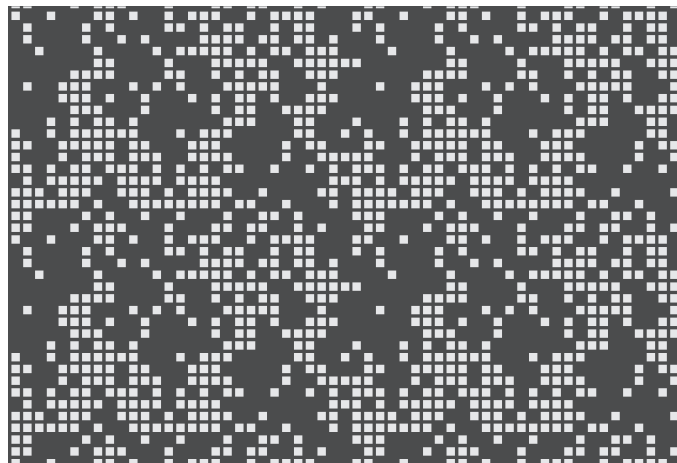
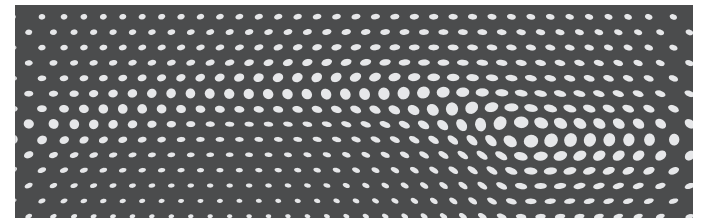
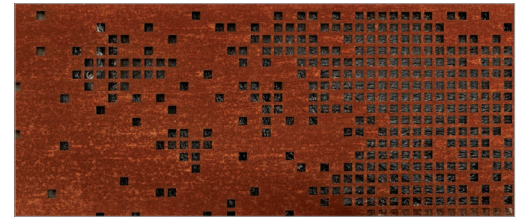
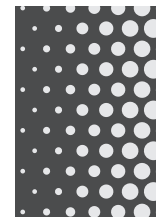
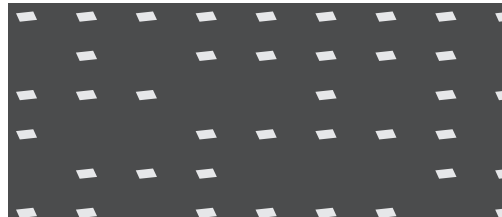
EnFold Façade Wallscreen systems are applicable to building exteriors, parking garage screens, and green screens as well as a variety of interior room divider, wall and ceiling applications. EnFold Façade panels can be directly mounted to edge of slab or other structure without the need for secondary supporting members. Panel systems are delivered to site fully fabricated and finished, ready for immediate installation. Designed with the same precision laser cutting typical throughout the entire BÖK Modern line of products, EnFold Façade Wallscreens can encompass an infinite array of patterns and shapes, and be finished in Kynar, powder coat, anodized aluminum, or rusted surface (Core-ten) steel.

**PATTERNS**

With a UV stable air and moisture barrier, our panels can be custom perforated to your specifications.

**WALLSCREEN**

- Introduction
- **Patterns**
- Project List
- Wall/Green screen syetem
- Plan / Elevation
- Typical Details
  - Elevation Detail
  - Section Detail
  - Panel Connection
  - Intersecting Panel
- Installation Sequence



**PRE ENGINEERED WALLSCREENS**

**WALLSCREEN**

- Introduction
- Patterns
- **Project List**
- Wall/Green screen syetem
- Plan / Elevation
- Typical Details
  - Elevation Detail
  - Section Detail
  - Panel Connection
  - Intersecting Panel
- Installation Sequence

**BOK MODERN PROJECT LIST**

*Design assumes wind exposure Category 'B' and building wind Zone 4.  
All products use A304 SST for bracket material. The only exception is that Cor-Ten panels will have Cor-ten brackets. All bolts are A304 SST.*

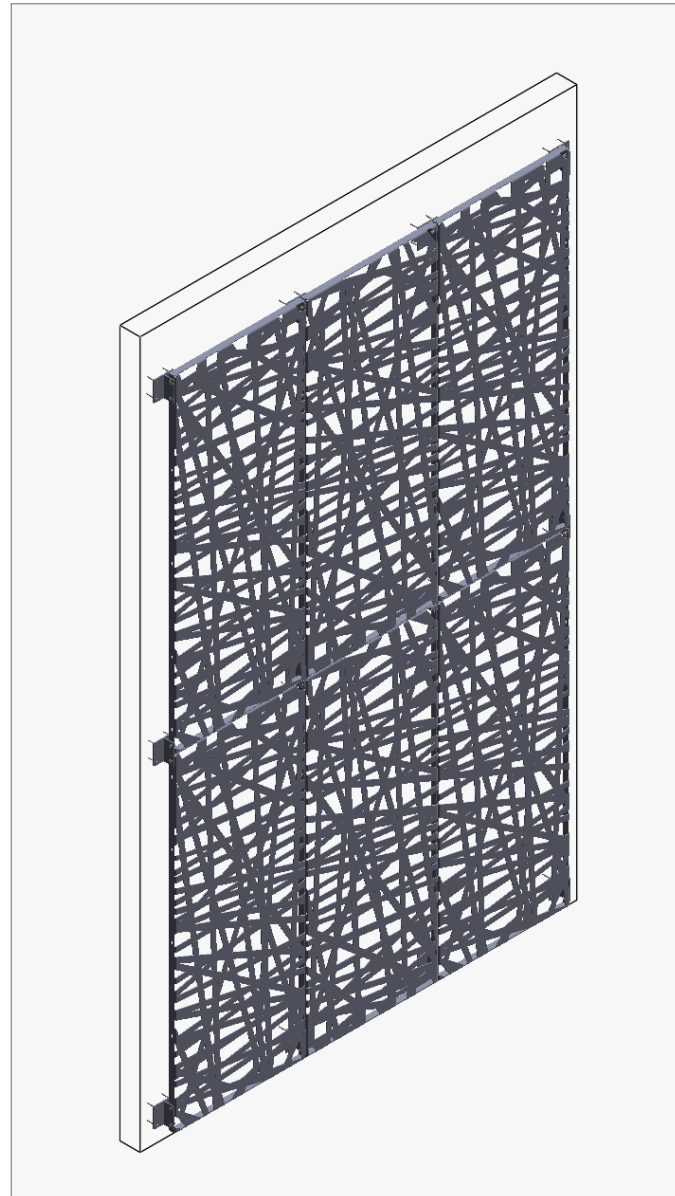
PROJECT NAME	SHEET MATERIAL	SHEET THICKNESS	MAX PANEL HEIGHT	WIDTH {max}	DEPTH	DESIGN FOR FULL PROTECTION	PERCENT OPEN	HEIGHT ABOVE GRADE
<b>WALL SCREEN</b>	5052-H32 AL	1/8"	10'	4' - 0"	2"	No	20 - 60%	0' - 32'
		3/16"	13'				20 - 60%	0' - 32'
			12'				33' - 60'	
	ASTM A242 Cor-Ten	14 GA	9' - 6"				20 - 60%	0' - 32'
		12 GA	12'				20 - 60%	0' - 32'
			12'				20 - 60%	0' - 60'

**NOTES:**

- » All knife blades are 304 Stainless Steel
  - » All bolts are 304 Stainless Steel
  - » Design results for wind exposure category B per ASCE Section 26.7.3.
  - » Design results for wind building zone 4 per ASCE
- Exposure B - Urban area with numerous closely spaced obstructions having size of single family dwelling or larger. Note, open spaces may restrict the use of exposure Wind Zone 4

**WALLSCREEN**

- Introduction
- Patterns
- Project List
- **Wall/Green screen system**
- Plan / Elevation
- Typical Details
  - Elevation Detail
  - Section Detail
  - Panel Connection
  - Intersecting Panel
- Installation Sequence



**DESCRIPTION**

- Wall/green screen panels can be mounted in a modular configuration using standard knifeblade support brackets.
- Standard and custom patterns.
- Interior and exterior applications.
- Bracket plate can be concealed behind finish.

	ALUMINUM	COR-TEN
<b>THICKNESS</b>	1/8", 3/16"	14 or 12 gauge
<b>FINISHES</b>	Powder Coat, Kynar, Anodized, Unfinished	Unfinished
<b>MAX SIZE</b>	See pg:4	See pg:4

**PLAN / ELEVATIONS**

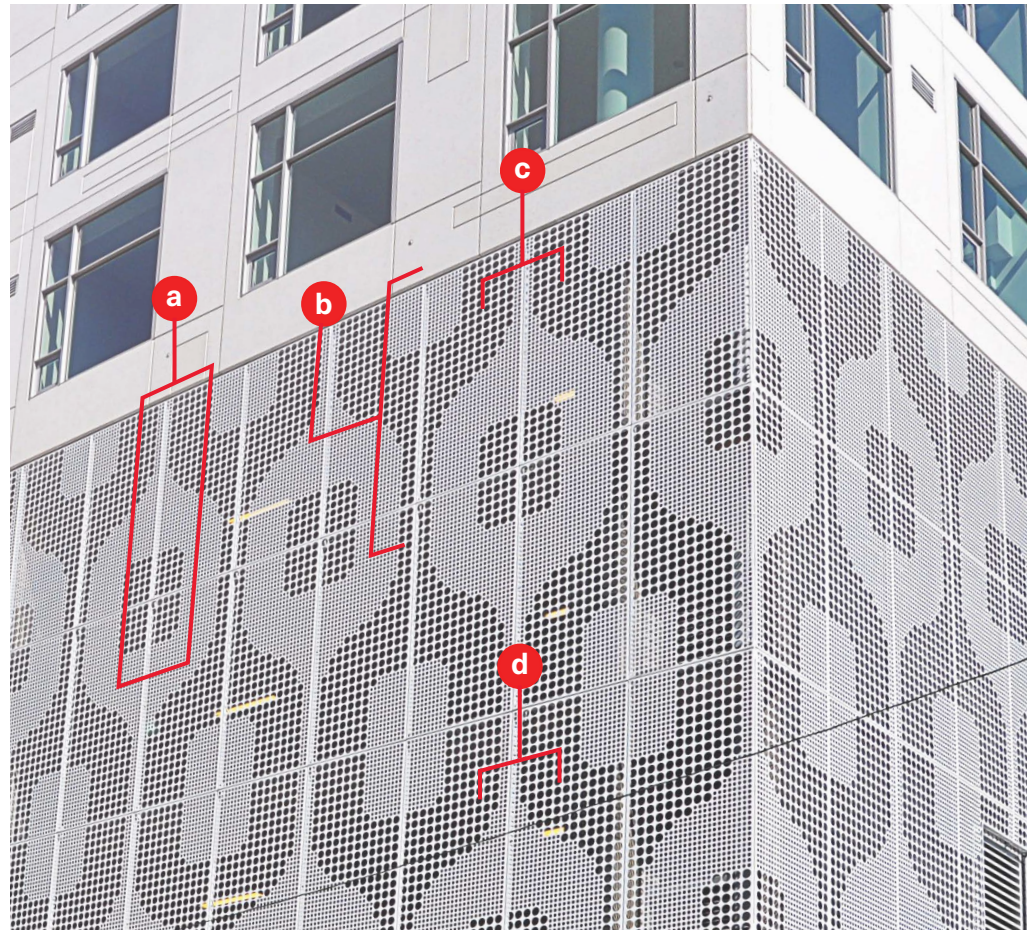
**WALLSCREEN**

- Introduction
- Patterns
- Project List
- Wall/Green screen syetem
- **Plan / Elevation**
- Typical Details
  - Elevation Detail
  - Section Detail
  - Panel Connection
  - Intersecting Panel
- Installation Sequence



**WALLSCREEN**

- Introduction
- Patterns
- Project List
- Wall/Green screen syetem
- Plan / Elevation
- **Typical Details**
  - Elevation Detail
  - Section Detail
  - Panel Connection
  - Intersecting Panel
- Installation Sequence



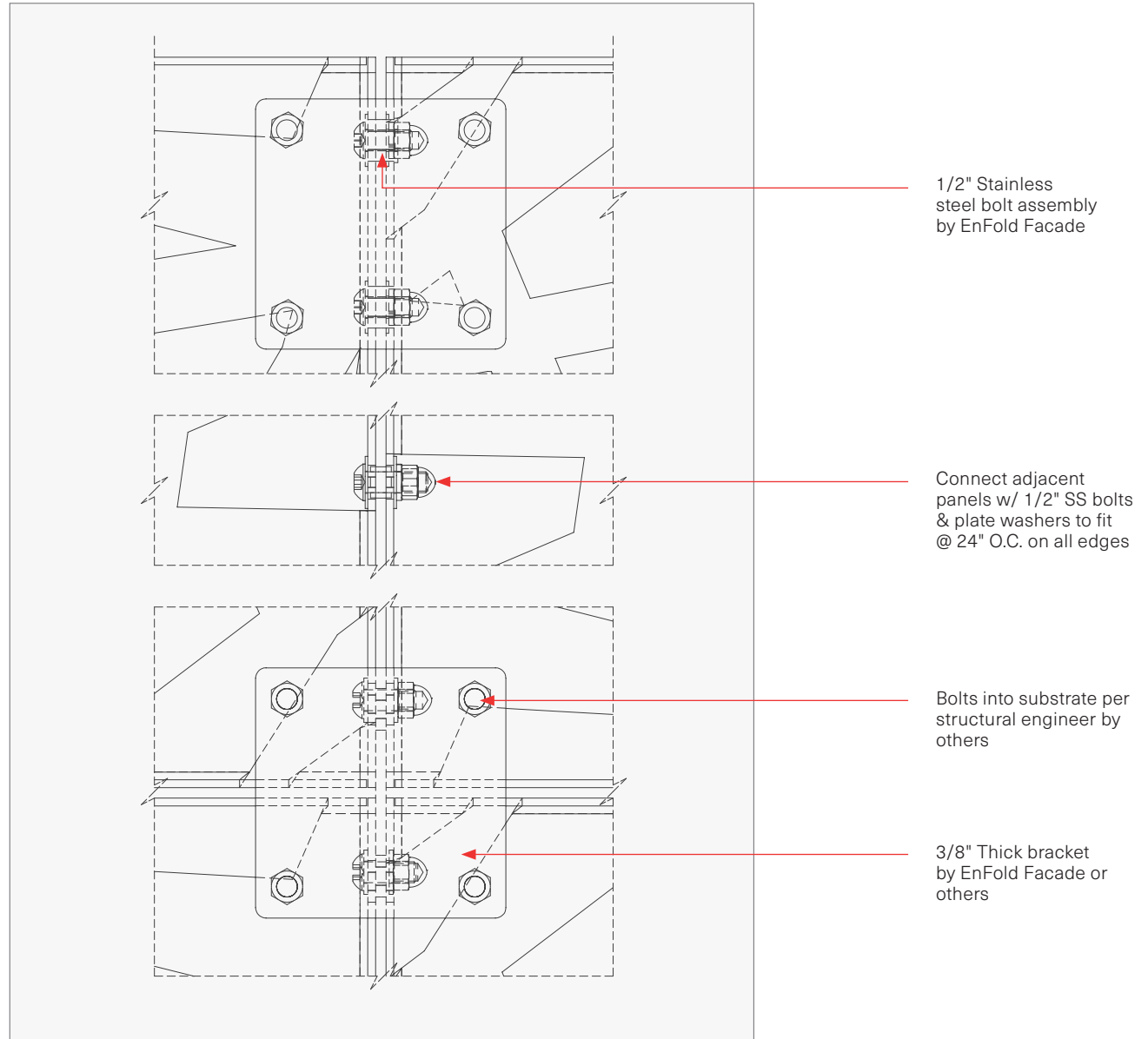
**DETAIL KEY**

- a** Elevation Detail  
wall/green screen panel
- b** Section Detail  
wall/green screen panel
- c** Bracket Connection  
horizontal section
- d** Intersecting Panel  
Connection  
horizontal section

**a** ELEVATION DETAIL : wall/green screen panel

**WALLSCREEN**

- Introduction
- Patterns
- Project List
- Wall/Green screen syetem
- Plan / Elevation
- Typical Details
  - Elevation Detail
  - Section Detail
  - Panel Connection
  - Intersecting Panel
- Installation Sequence

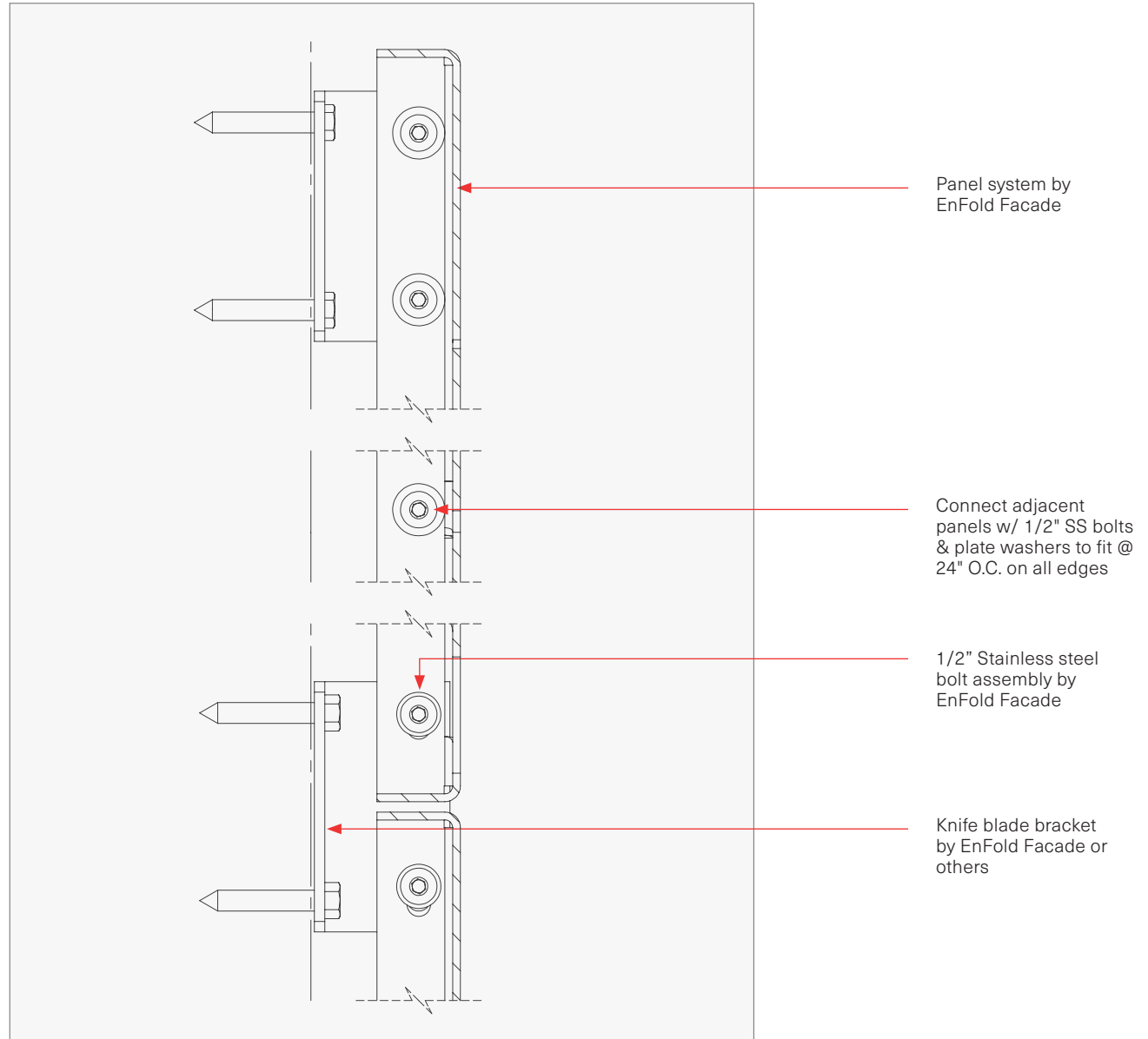




**b** SECTION DETAIL : wall/green screen panel

**WALLSCREEN**

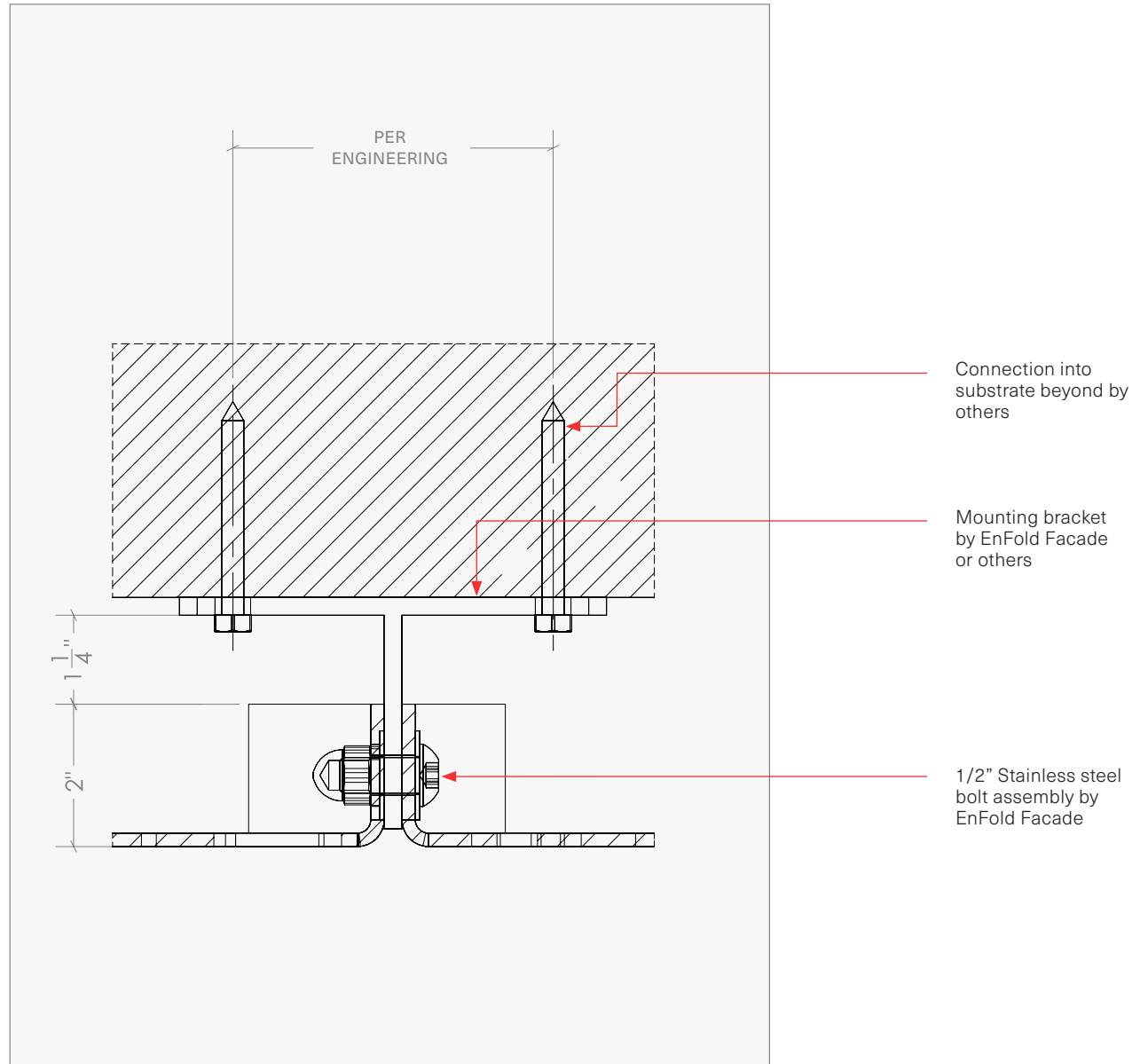
- Introduction
- Patterns
- Project List
- Wall/Green screen syetem
- Plan / Elevation
- Typical Details
  - Elevation Detail
  - Section Detail
  - Panel Connection
  - Intersecting Panel
- Installation Sequence



**C** UPPER PANEL CONECTION : horizontal section

**WALLSCREEN**

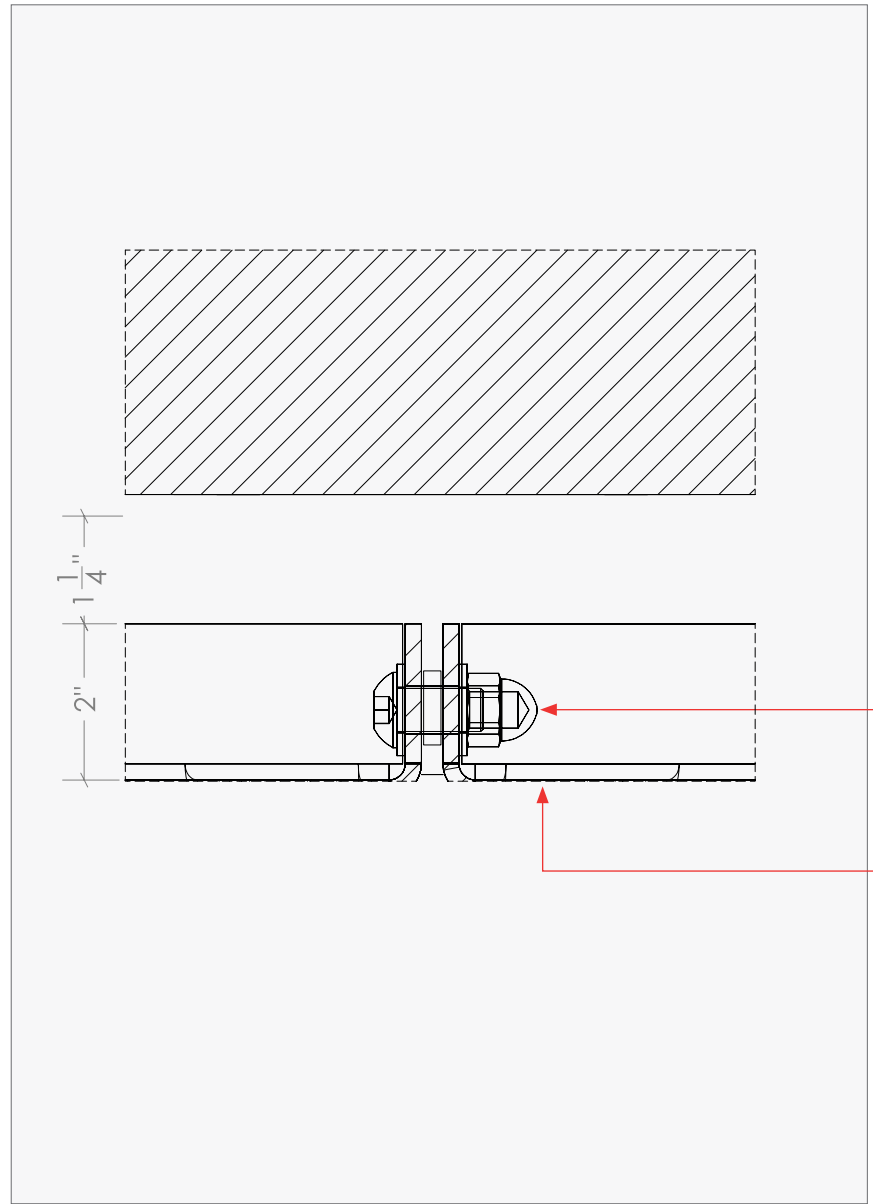
- Introduction
- Patterns
- Project List
- Wall/Green screen syetem
- Plan / Elevation
- Typical Details
  - Elevation Detail
  - Section Detail
  - Panel Connection
  - Intersecting Panel
- Installation Sequence



**d INTERSECTING PANEL : horizontal section**

**WALLSCREEN**

- Introduction
- Patterns
- Project List
- Wall/Green screen syetem
- Plan / Elevation
- **Typical Details**
  - Elevation Detail
  - Section Detail
  - Panel Connection
  - Intersecting Panel**
- Installation Sequence



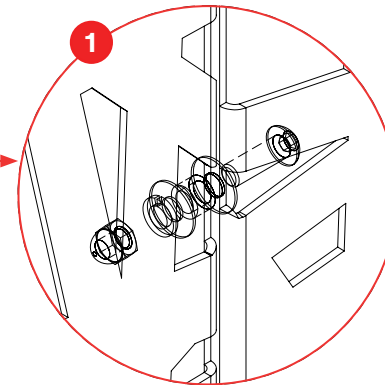
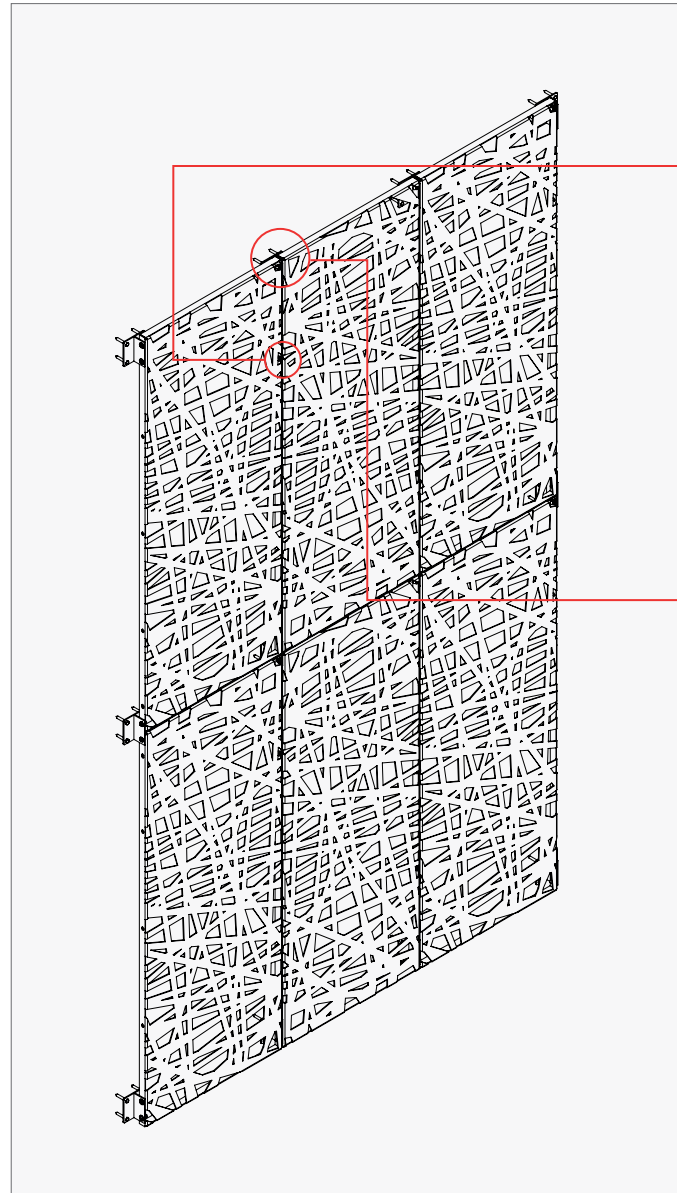
1/2" Stainless steel bolt assembly with spacer by EnFold Facade

Panel system by EnFold Facade

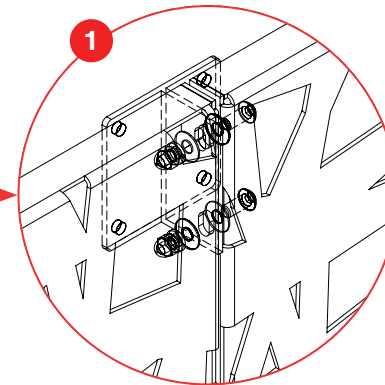
INSTALLATION SEQUENCE

**WALLSCREEN**

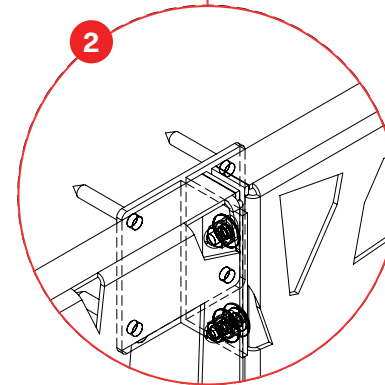
- Introduction
- Patterns
- Project List
- Wall/Green screen syetem
- Plan / Elevation
- Typical Details
  - Elevation Detail
  - Section Detail
  - Panel Connection
  - Intersecting Panel
- Installation Sequence



**STEP 1**  
Panel to panel  
connection



**STEP 1**  
Bracket to panel  
connection



**STEP 2**  
Finished  
condition

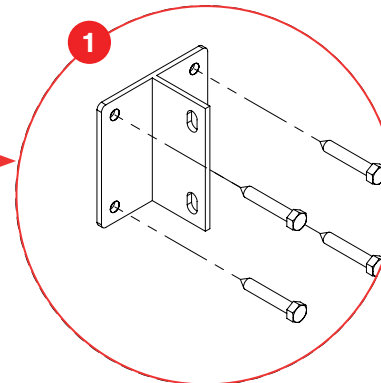
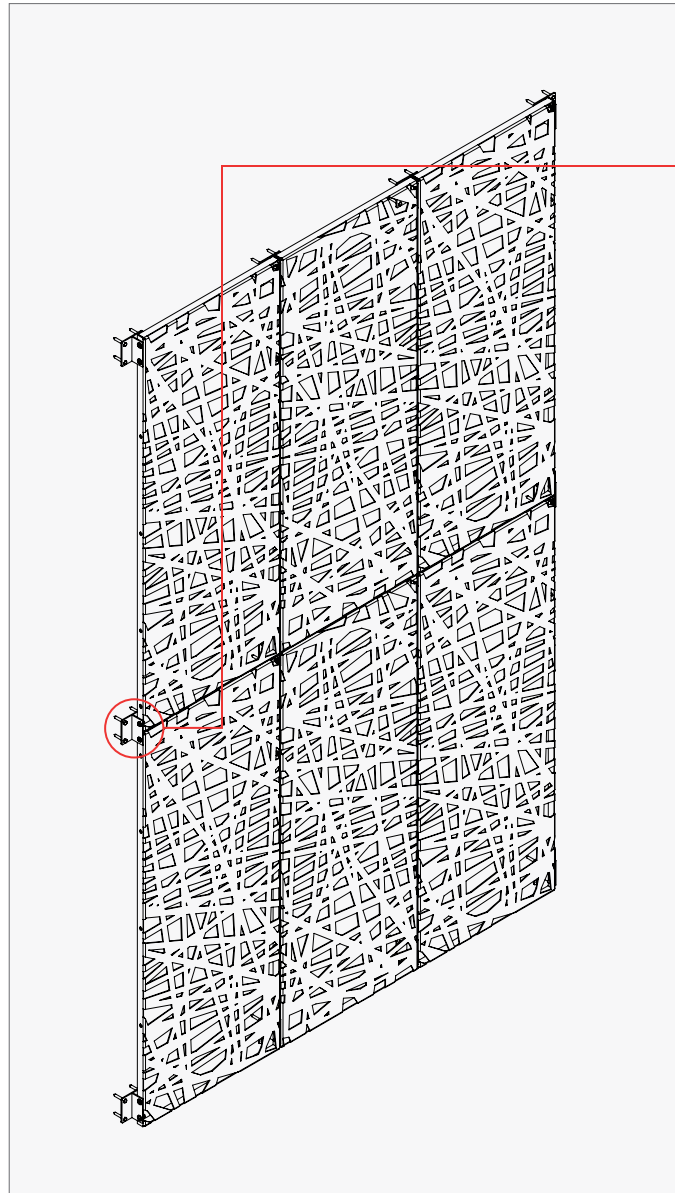
INSTALLATION SEQUENCE

**WALLSCREEN**

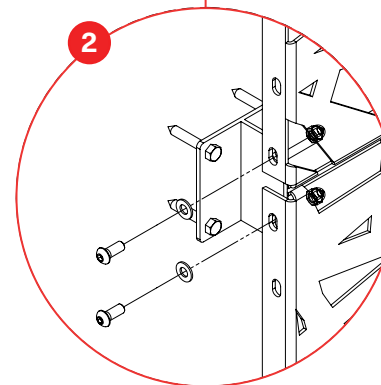
- Introduction
- Patterns
- Project List
- Wall/Green screen syetem
- Plan / Elevation
- Typical Details
  - Elevation Detail
  - Section Detail
  - Panel Connection
  - Intersecting Panel
- Installation Sequence

BY BÖK MODERN

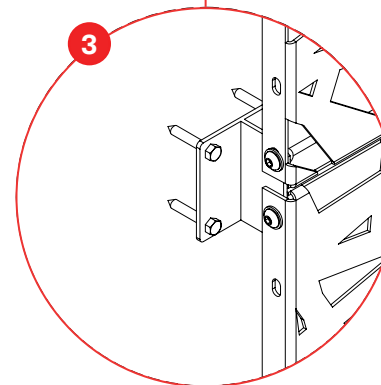
ENFOLDFAÇADE.COM



**STEP 1**  
Bracket on to structure



**STEP 2**  
Panel to panel connection



**STEP 3**  
Finished condition